

# INDUSTRIAL GLOBETROTTER® MOTOR

JANUARY 2022 | NORTH AMERICA, LATIN AMERICA



# MOTORS TO GET

## **Globetrotter<sup>®</sup>**

### **TOTALLY ENCLOSED MOTORS**

Customers choose Globetrotter motors for general purpose industrial applications. Why? Globetrotter motors, 1.5 HP through 200 HP, provide the much sought after durability and dependability.

The redesigned totally enclosed cast iron construction now includes:

- IP55 protection
- Division 2/ Zone 2, Class I (gases), Groups A, B, C, D
- Dual frame mounting holes
- F1 to F2 mounting capability

These additional features make this motor ready for the toughest environments and more versatile than ever.

Globetrotter motors are designed to meet or exceed the customer's expectations in the most demanding applications.

---

### **See our Accessory Kits and Modification sections in our product catalog for additional options:**

- C-face
- Cast iron conduit boxes
- Cast iron fan guards
- BCP™ bearing current protection\*\*

\*\*Bearing current protection may not be installed on motors used in a division 2 location.

**Steel fan cover for optimum strength**  
Cast iron fan guard covers available for severe service

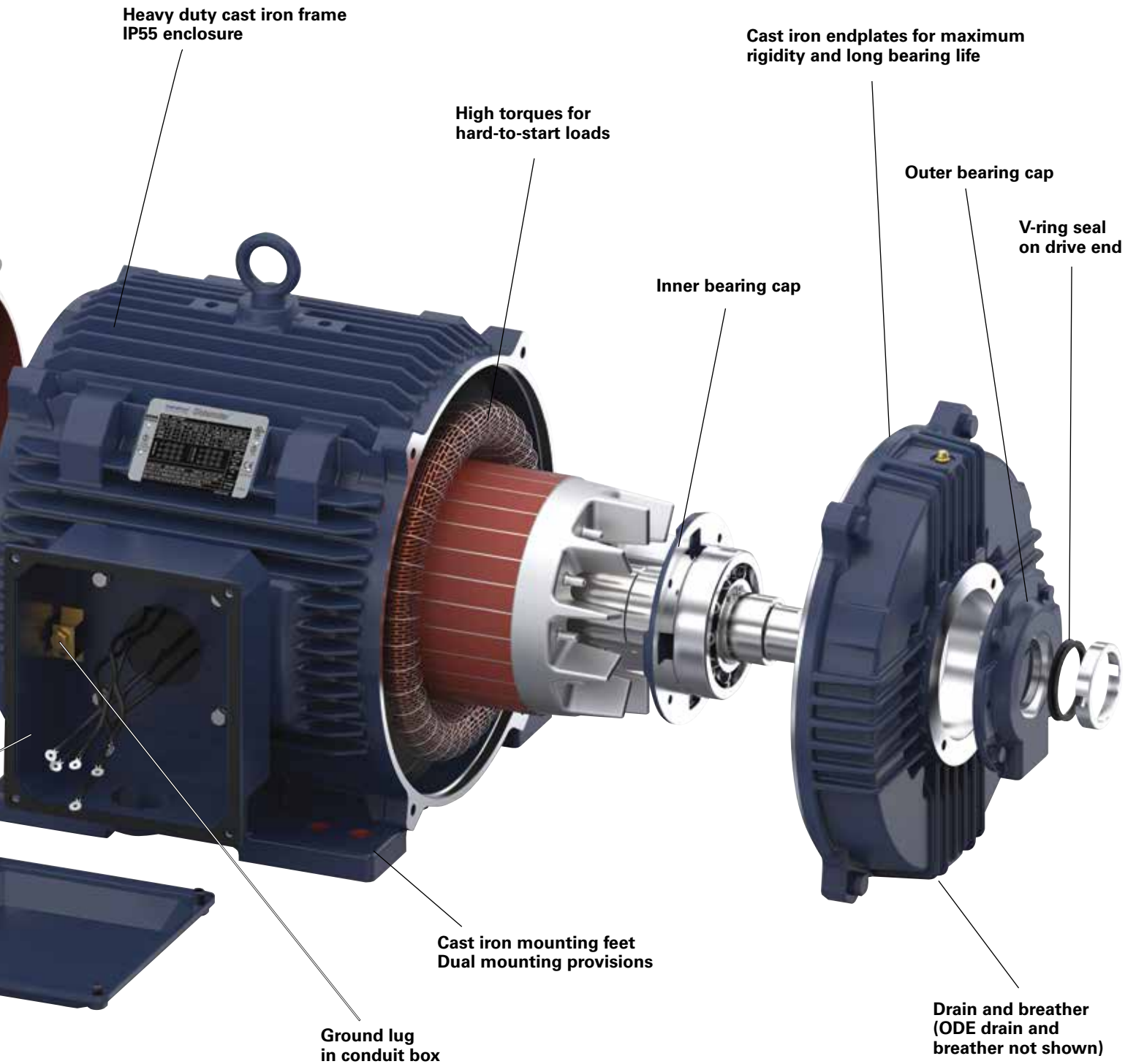
**Outer bearing cap**  
(inner bearing cap not shown)



**Non-sparking external cooling fan**

**Oversized, steel conduit box**  
**Rotatable in 90° increments**  
Cast iron conduit box available

# THE JOB DONE



# MOTORS FOR TOU



## Globetrotter® General Purpose Drip Proof

- 143-365 steel frame; 256-449 cast iron frame
- 0.75 - 500 HP
- 2, 4, 6 pole
- 200V, 230/460V, 460V on 125 HP and up, 575V
- Drip proof enclosure
- Steel conduit box
- 1.15 service factor on sinewave
- Class F, Class B rise insulation
- Bearing caps 284-449
- NEMA Premium® efficiencies
- Inverter duty 10:1
- F1/F2 compatible
- Dual frame mounting
- UL® recognized, CSA® certified, CE® mark



## Globetrotter General Purpose Drip Proof C-Face

- 143-365 steel frame, 404 cast iron frame
- 0.75 - 200 HP
- 2, 4 pole
- 230/460V, 575V (only through 50 HP)
- Drip proof enclosure
- Steel conduit box
- 1.15 service factor on sinewave
- Class F, Class B rise insulation
- Ball bearings, mechanically locked on shaft end
- NEMA Premium efficiencies
- Inverter duty 10:1
- F1/F2 compatible
- Dual frame mounting
- UL recognized, CSA certified, CE mark



## Globetrotter Close Coupled Pump Drip Proof

- 143-326 steel frame
- 0.75 - 50 HP
- 2, 4, 6 pole
- 200V, 230/460V, 575V
- NEMA® JM and JP shaft dimensions
- JM and JP frames have rigid base
- JMV and JPV frames for vertical mount without base
- Drip proof enclosure
- Steel conduit box
- 1.15 service factor on sinewave
- Ball bearings, mechanically locked on shaft end
- Class F, Class B rise insulation
- Meets or exceeds USA mandated efficiencies
- Inverter duty 10:1
- F1/F2 compatible
- Dual frame mounting
- UL recognized, CSA certified, CE mark

\* The following trademarks are not owned by, or under the control of Regal Rexnord Corporation: CE is a trademark or tradename of European Unions; CSA is a tradename of CSA Group; NEMA and NEMA Premium are trademarks of National Electrical Manufacturers Association; UL is a trademark or trade name of Underwriters Laboratories.

## HVAC



## CONVEYORS



## COMMERCIAL PUMPING



# GH APPLICATIONS



## GlobeTrotter®\* General Purpose TEFC

- Rolled steel frame 143-256
- Cast iron frame 143-449
- 1.5 - 450 HP
- 2, 4, 6 pole
- 200V, 230/460V, 460V on 125 HP and up, 575V
- TEFC enclosure
- IP43 protection on rolled steel frames
- IP55 protection on cast iron frames
- Division 2, Zone 2 Class I (gases) Groups A,B,C,D
- Meets temperature code T2B
- Steel conduit box & fan guard
- 1.15 service factor on sinewave
- Class F, Class B rise insulation
- Bearing lock 182-286
- Bearing caps 324 and up
- NEMA Premium®\* efficiencies
- Inverter duty 10:1
- F1/F2 compatible
- Dual frame mounting
- UL®\* recognized, CSA®\* certified, CE®\* mark



## GlobeTrotter General Purpose TEFC C-face

- Rolled steel frame 143-256
- Cast iron frame 213-449
- 1.5 - 450 HP, 2, 4, 6 pole, C-face footed
- 1.5 - 450 HP, 2, 4, 6 pole, C-face footless
- 200V, 230/460V, 575V (only C-face footed)
- TEFC enclosure
- IP43 protection on rolled steel frames
- IP55 protection on cast iron frames
- Cast iron construction
- Division 2, Zone 2 Class I (gases) Groups A,B,C,D
- Meets temperature code T2B
- Steel conduit box & fan guard
- 1.15 service factor on sinewave
- Class F, Class B rise insulation
- Bearing lock 182-286
- Bearing caps 324 and up
- NEMA Premium efficiencies
- Inverter duty 10:1
- F1/F2 compatible
- Dual frame mounting
- UL recognized, CSA certified, CE mark



## GlobeTrotter Close Coupled Pump TEFC

- Rolled steel frame 182-215
- Cast iron frame 254-326
- 1.5 - 50 HP
- 2, 4, 6 pole
- 200V, 230/460V, 575V
- NEMA®\* JM and JP shaft dimensions
- JM and JP frames have rigid base
- JMV and JPV frames for vertical mount without base
- TEFC enclosure
- IP43 protection on rolled steel frames
- IP55 protection on cast iron frames
- Division 2, Zone 2 Class I (gases) Groups A,B,C,D
- Meets temperature code T2B
- Steel conduit box & fan guard
- 1.15 service factor on sinewave
- Class F, Class B rise insulation
- Bearing lock 182-286, bearing caps 324-326
- Meets or exceeds USA mandated efficiencies
- Inverter duty 10:1
- F1/F2 compatible
- Dual frame mounting
- UL recognized, CSA certified, CE mark

\*The following trademarks are not owned by, or under the control of Regal Rexnord Corporation: CE is a trademark or tradename of European Unions; CSA is a tradename of CSA Group; NEMA and NEMA Premium are trademarks of National Electrical Manufacturers Association; UL is a trademark or trade name of Underwriters Laboratories.

## COOLING TOWERS



## INDUSTRIAL CONVEYORS



## INDUSTRIAL PUMPING



# GENERAL INFORMATION

## WEBSITE AND E-COMMERCE

Information can be accessed instantly, any time of the day on our website and e-commerce site at [www.regalrexnord.com/Brands/Marathon-Motors](http://www.regalrexnord.com/Brands/Marathon-Motors). Our comprehensive product data is available in a convenient bundled file called our data sheet, or by individual certification and performance files. Download CAD files for products, view products in a 360° rotatable view or access necessary dimensional drawings all in one place.



DATA SHEET

OUTLINE

CONNECTION

CERTIFICATION

PERFORMANCE

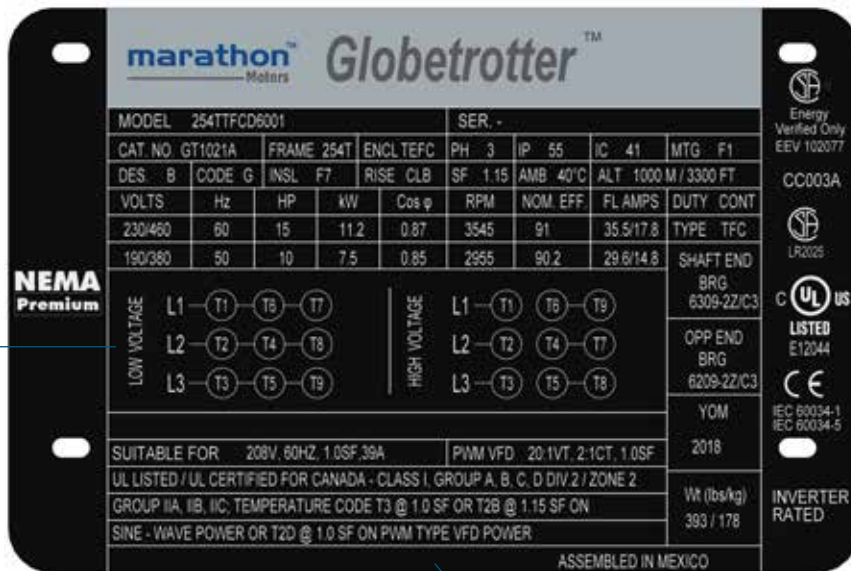
2D CAD

3D CAD

WARRANTY

MANUAL

## NAMEPLATE INFORMATION



The nameplate is the key to selecting the proper replacement motor. The model number is the key to finding the correct replacement parts.

Agency symbols

Connection details for low or high voltage

Inverter information and UL® listed Division 2

**MODEL** - The ID number

**CAT.NO.** - Catalog number

**FRAME** - Size and mounting

**ENCL** - Enclosure

**PH** - Electrical phase

**IP** - Ingress protection

**IC** - Inherent cooling

**MTG** - Conduit box location - F1 or F2

**DES** - Code by NEMA®

**CODE** - NEMA locked-rotor KVA

**INSL** - Insulation class

**RISE** - Full load operating temperature

**SF** - Percentage of rated HP the motor can safely operate at

**AMB** - The allowable surrounding air temperature

**ALT** - The allowable altitude

**VOLTS** - Voltage rating of the motor at the operating frequency

**HZ** - Input frequency of the power supply

**HP** - Rated horsepower the motor will produce

**kW** - Rated output in watts

**cos** - Cosine is the ratio of actual power to the apparent power

**RPM** - Full load speed at rated frequency

**NOM.EFF.** - Average efficiency

**FL AMPS** - The rated load current expressed in amps at the nameplate HP, voltage and frequency

**DUTY** - Time rating under load

**SHAFT END BRG** - Drive end bearing size

**OPP END BRG** - Opposite drive bearing size

**YOM** - Year of Manufacture

**Wt (lbs/kg)** - Motor weight in pounds and kilograms

\*The following trademarks are not owned by or under the control of Regal Rexnord Corporation: NEMA and NEMA Premium are trademarks of National Electrical Manufacturers Association; UL is a trademark or trade name of Underwriters Laboratories.

## COMPETITIVE ANALYSIS - TEFC - FOOTED

Features	Marathon® Globetrotter® Motors (Old)	Marathon® Globetrotter® Motors (New)	Baldor® Super-E® Motors ECP-Severe Duty	TECO® MAX-E1® Motors	WEG® W22® Motors Severe Duty
NEMA Premium®	Yes	Yes	Yes	Yes	Yes
Inverter Capable	Yes	Yes	Yes	Yes	Yes
SGR	Pre drilled for SGR	Mod available	Mod available	Mod available	Optional
Frame Material	Cast iron 182-449	Rolled steel up to 256, cast iron 182-449	Steel up to 210, cast iron 250 and up	Cast iron	Cast iron
F2 Convertible	Yes	Yes and dual drilled for larger frames	Yes	Yes with dual drilled for larger frames	Yes
IP Code	IP43	IP43 rolled steel IP55 cast iron	IP55	IP54	IP55
Hazardous loc.	None	Div 2, class I	Div 2, class I	Div 2, class I	Div 2, class I
Drain	Drain hole in bracket up to 210, and in frame for 250 and up	Brass drain & brass breather on each bracket, radially	On brackets, axial	Drain hole on each bracket, radially	On bracket, rubber plug, radially
Bearing Cap	Internal & external on both ends	Internal & external on both ends (324 frame and up)	Internal on both ends	Internal & external on 280 and up	Internal & external on 250 and up
Greasing	Grease fittings	Grease fittings	Pipe plug	Automatic grease discharge fittings	Grease relief fitting on 250 & up
Fan Guard/ Conduit Box Material	Steel with cast iron kits available	Steel with cast iron kits available	Cast iron	Cast iron	Fan guard: steel up to 210, cast iron 250 & up Conduit box: cast iron
Name Plate Material	Aluminum	Stainless steel	Stainless steel	Stainless steel	Stainless steel

## COMPETITIVE ANALYSIS - ODP - FOOTED

Features	Marathon Globetrotter (Old)	Marathon Globetrotter (New)	Baldor Super-E Motors	TECO Motors ASHH & ASGH	WEG Motors
NEMA Premium	Yes	Yes	Yes	Yes	Yes
Inverter Capable	Yes	Yes	Yes	Yes	Yes
SGR	Pre-drilled for SGR	Mod available	Mod available	Some models may have SGR	Optional
Frame Material	Rolled steel up to 286, cast iron for 324 & up	Rolled steel extended up to 365 frame, cast iron 400 frame & up	Rolled steel up to 400	Rolled steel up to 280 cast iron 140 to 440	Rolled steel up to 250 cast iron 250 & up
F2 Convertible	Yes	Yes and dual drilled for larger frames	Yes	No for rolled steel up to 280. Yes for all cast iron frames	Rolled steel , F1 only cast iron, yes
IP Code	IP21	IP21	-	IP22	Rolled steel frames, IP21 Cast iron frames (256-5810), IP23
Bearing Cap	Internal & external on both ends	Internal & external on both ends (284 frame and up)	No	Internal & external on both ends 280TS & up	Optional, standard for flanged motors
End Brackets Material	Cast iron	Cast iron	Cast iron on cast iron frames	Cast iron on cast iron frames	Aluminum on rolled steel frames, cast iron on cast iron frames
Conduit Box Material	Steel with cast iron kits available	Steel with cast iron kits available	Aluminum up to 360, cast iron for 400 & up	Rolled steel	Aluminum on rolled steel frames, cast iron on cast iron frames
Name Plate Material	Aluminum	Stainless steel	Aluminum	Stainless steel	Stainless on cast iron frames

\*The following trademarks are not owned by or under the control of Regal Rexnord Corporation: Baldor is a trademark or tradename of ABB Motors And Mechanical Inc; NEMA Premium are trademarks of National Electrical Manufacturers Association; Super E is a trademark or tradename of ABB Motors And Mechanical Inc; Teco is a trademark or tradename of TECO-Westinghouse; WEG is a trademark or tradename of WEG Equipamentos Eléctricos S.A.



**Industrial Solutions  
Regal Rexnord**

100 East Randolph Street  
Wausau, WI 54402-8003  
Phone: 715-675-3359  
Fax: 715-675-8026  
regalrexnord.com

The proper selection and application of products and components, including assuring that the product is safe for its intended use, are the responsibility of the customer. To view our Application Considerations, please visit <https://www.regalrexnord.com/Application-Considerations>

To view our Standard Terms and Conditions of Sale, please visit <https://www.regalrexnord.com/Terms-and-Conditions-of-Sale> (which may redirect to other website locations based on product family).

The following trademarks are not owned by or under the control of Regal Rexnord Corporation: Baldor is a trademark or tradename of ABB Motors And Mechanical Inc; CE is a trademark or tradename of European Unions; CSA is a tradename of CSA Group; NEMA and NEMA Premium are trademarks of National Electrical Manufacturers Association; Super E is a trademark or tradename of ABB Motors And Mechanical Inc; Teco is a trademark or tradename of TECO-Westinghouse; UL is a trademark or trade name of Underwriters Laboratories; WEG is a trademark or tradename of WEG Equipamentos Eléctricos S.A.

"Regal Rexnord" is not indicative of legal entity.

Regal Rexnord, BCP, Globetrotter and Marathon are trademarks of Regal Rexnord Corporation or one of its affiliated companies.

©2019, 2022 Regal Rexnord Corporation, All Rights Reserved.

MCB21044E • Form# MB0087E



Sign up to stay updated with  
our Industrial motors news  
<http://eepurl.com/g8-fsz>

